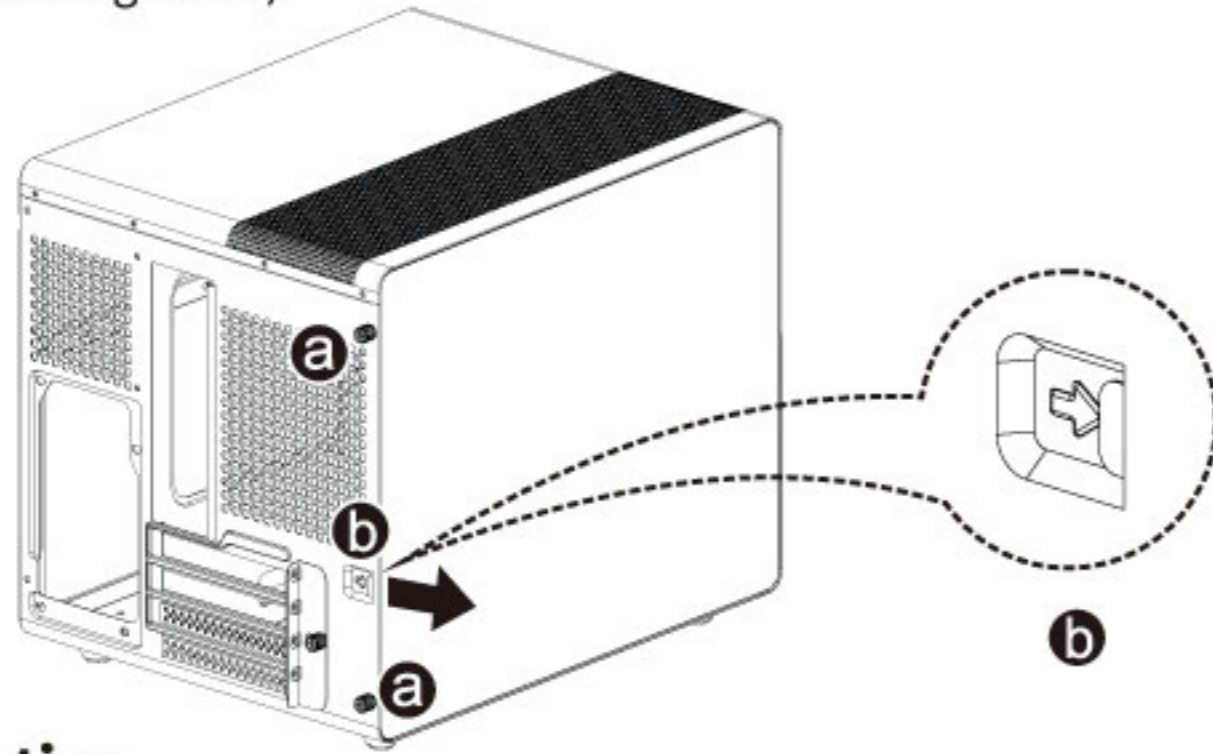
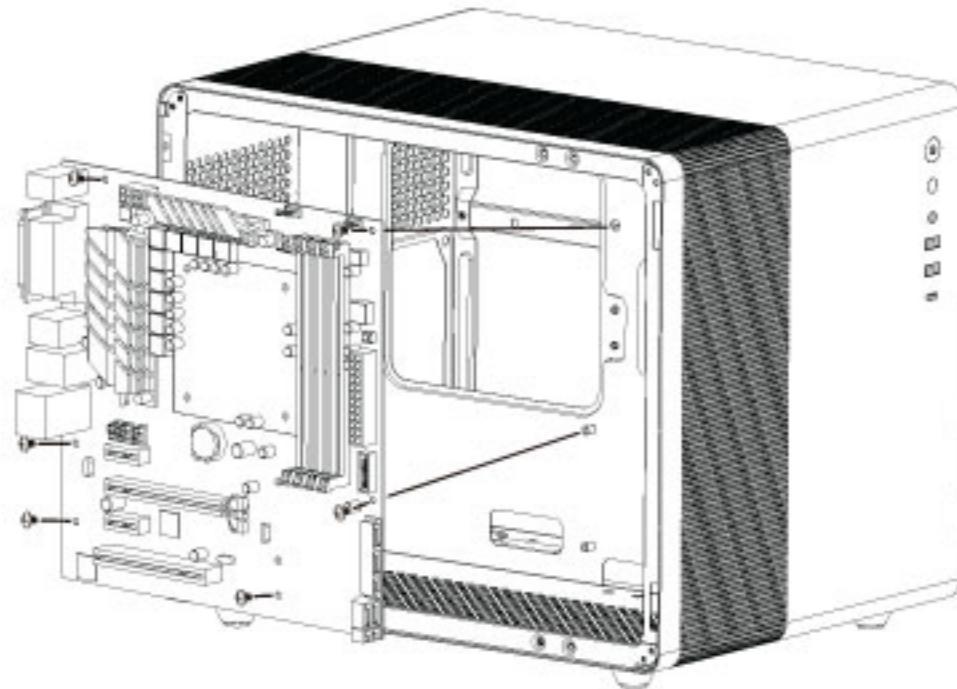


1 Disassemble Of Side Panels

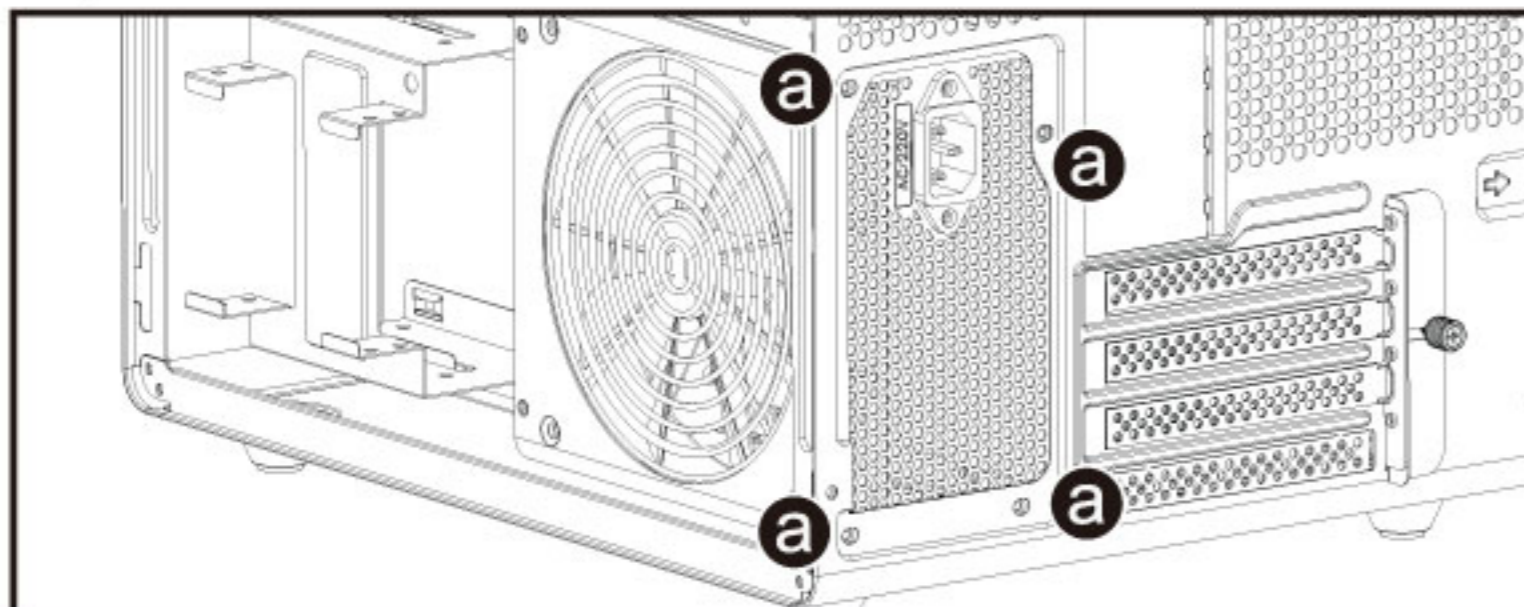
- ① Remove the screws of "a" positions at the rear end of the left tempered glass side panel
- ② Push out tempered glass side panel by finger at "b" position according to the arrow direction (caution: hold the glass side panel with the other hand in the meantime to prevent it falling down)

**2 M/B installation**

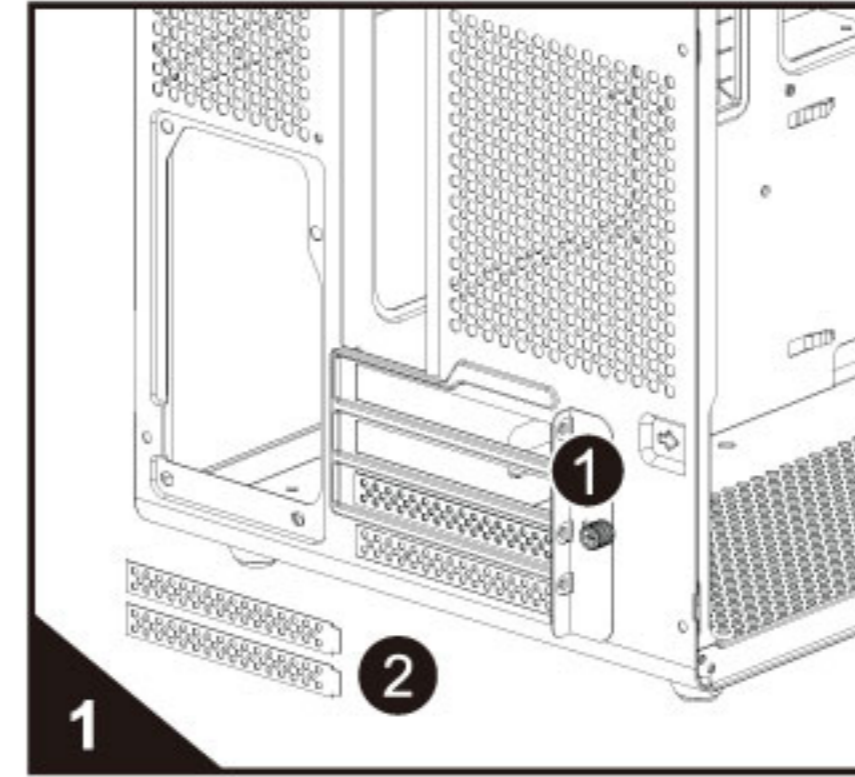
Put M/B in the case and align the screw holes, then fix M/B by screws as shown in the following illustration (this case support micro ATX M/B and ITX M/B) (different M/B has different installation characteristics, please refer to the user manual of your M/B before installation)

**3 PSU installation**

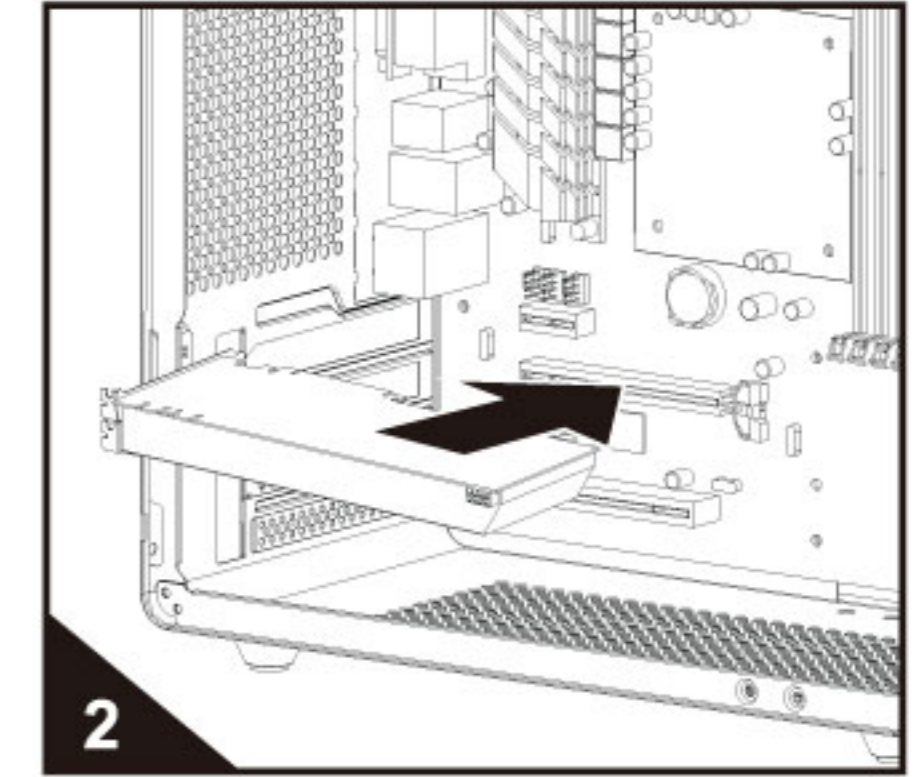
Put PSU to the position as shown in the illustration, fasten the 4 pcs screws of "a" positions

**4 VGA card installation**

- ① Unscrew the screws of the fastening bar of the PCI slot covers, remove the fastening bar, then break off PCI slot covers
- ② Insert VGA card into the VGA card slot of M/B according to the arrow direction



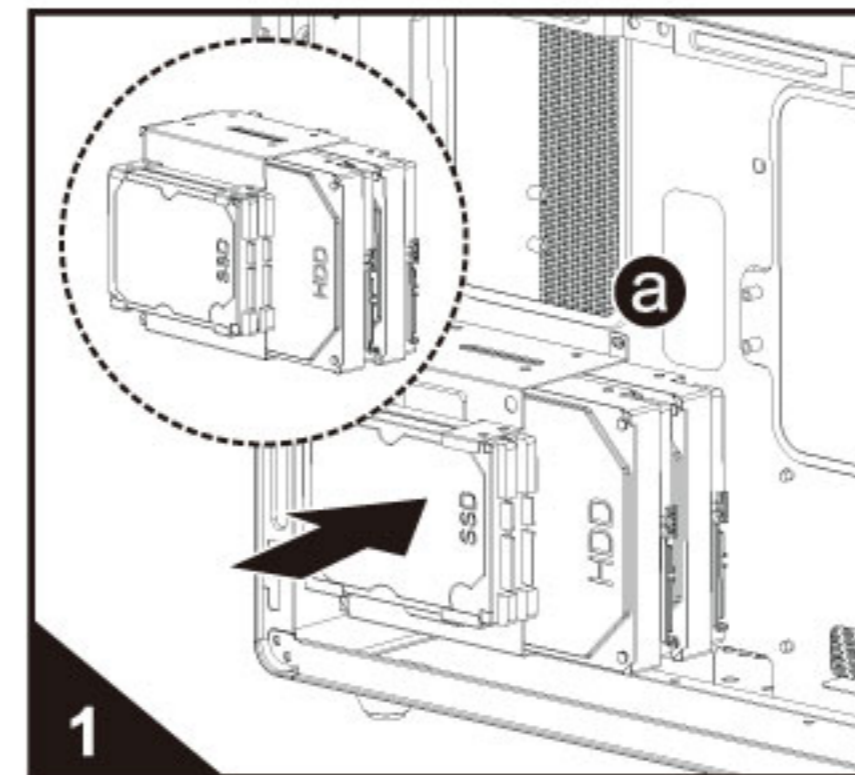
Unscrew the screws fixed PCI slot covers, then break off PCI slot cover



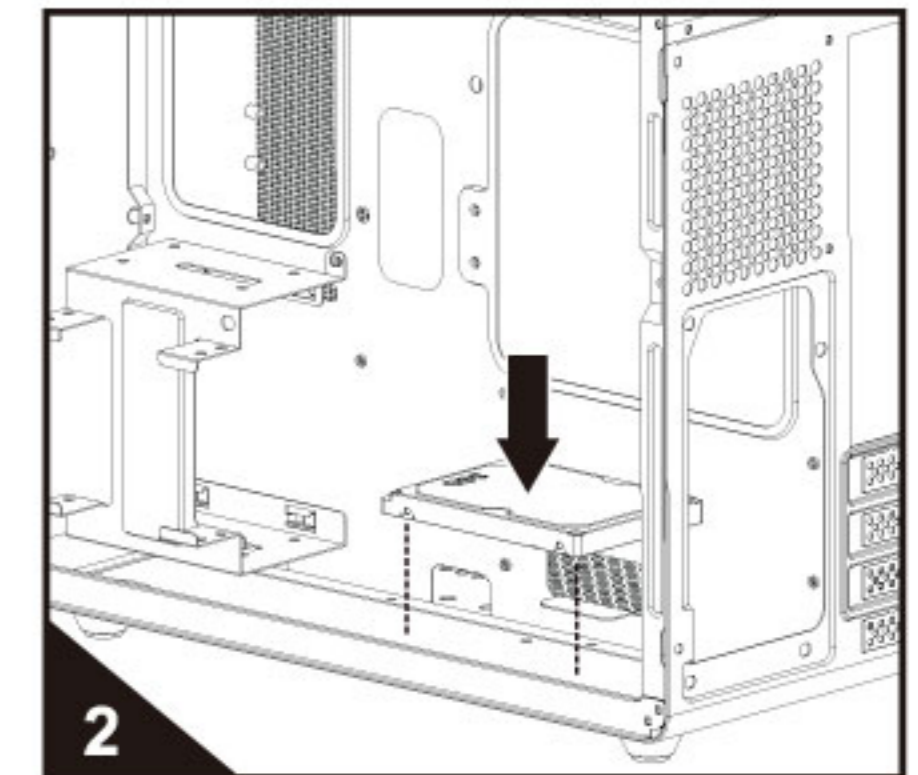
Insert VGA card into the slot of M/B according to the arrow direction

5 HDD / SSD installation (Support:HDDx2+SSDx3)

- ① Put 3.5" HDD and 2.5" SSD in the HDD/SSD cage as shown in the illustration 1, then fix HDD/SSD cage by screws at "a" positions
- ② Bottom cover can be installed with 2pcs 2.5" SSD. Put 2.5" SSD on the bottom cover as shown in the illustration 2, align the screw holes, then fix SSD by screws from the outside of the bottom



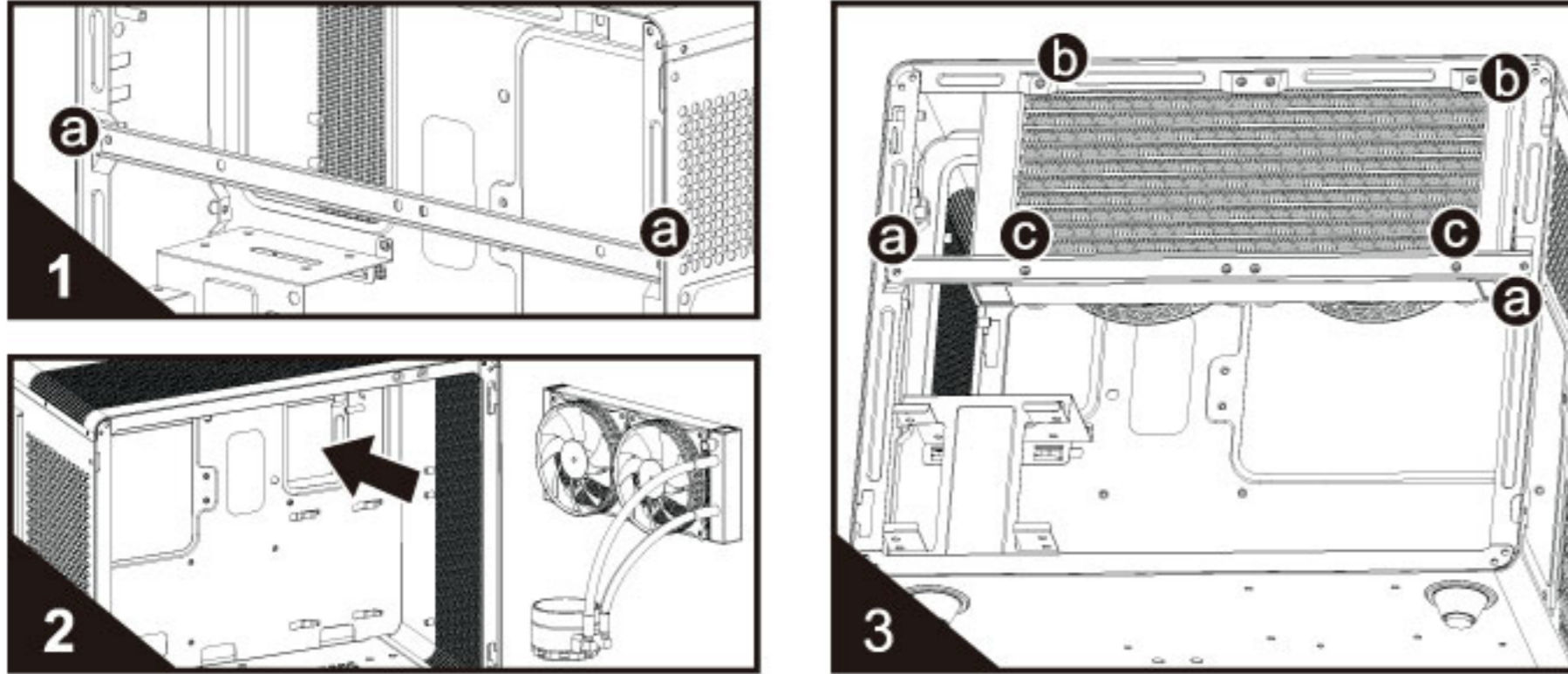
HDD/SSD cage can be installed with HDDx2 + SSDx2



SSDx1 can be installed on the bottom cover

6 Water cooling kit installation

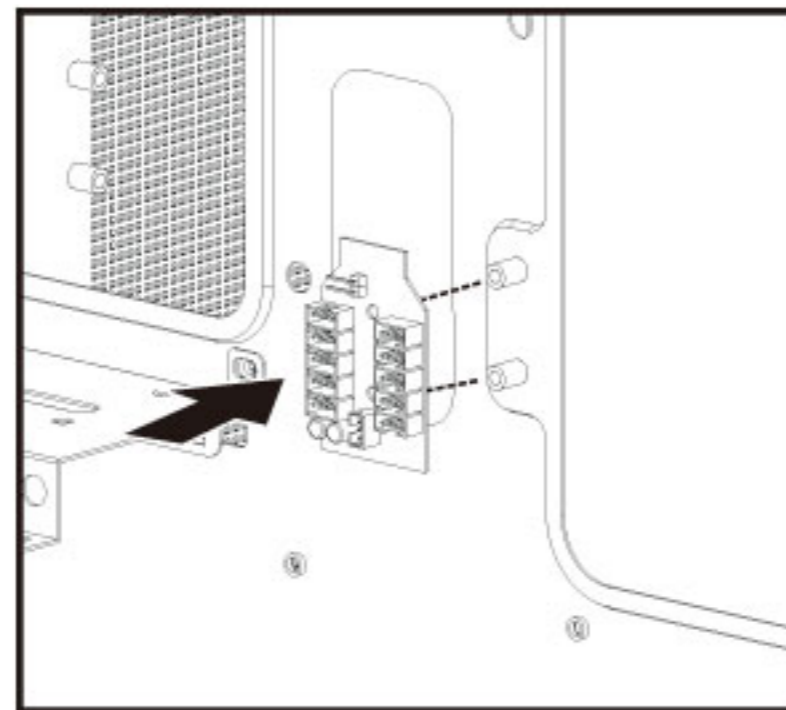
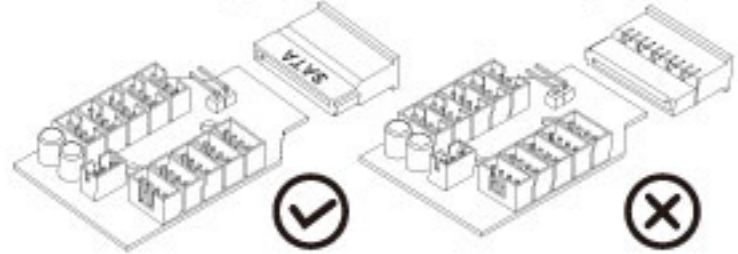
- ① Unscrew the screws of "a" positions of the radiator bracket; remove the radiator bracket
- ② Pass radiator through the hole from the left as shown in the illustration 2 and put it on the back of M/B bracket
- ③ Align the screw holes of "b" positions with the screw holes of the radiator from the reverse side, fix the radiator by screws. Put the removed radiator bracket back to "a" positions, fix the bracket by screws. Align the screw holes of "c" positions of the bracket with the screws holes of the radiator, fix the other side of the radiator by screws



7 ARGB control board installation

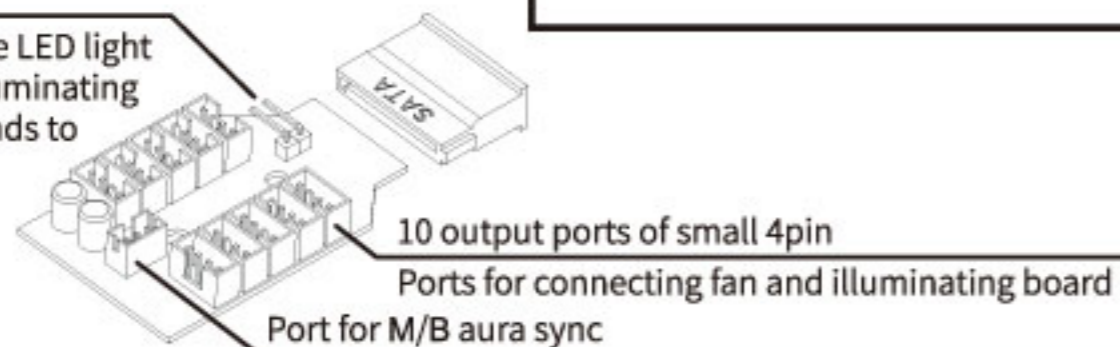
Put the 10 ports control board to the position as shown in the illustration, align screws holes, then fasten screw (Note: Control board is optional item. If the case comes without control board, then ignore it)

Caution! Please connect SATA connector properly as shown in the following illustration before power on



Port for switch button

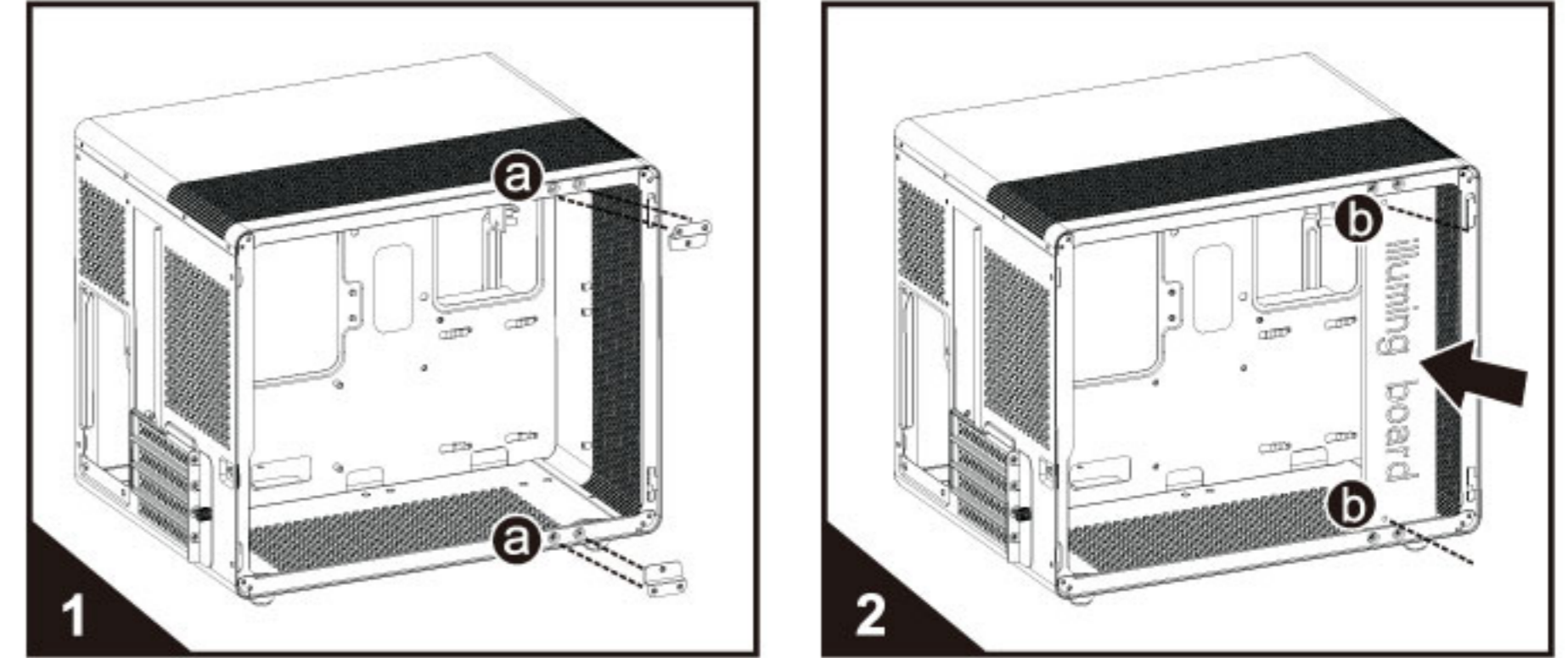
The control board can control the LED light of connected ARGB fan, ARGB illuminating board. Press and hold for 5 seconds to switch to M/B sync



Take out Aura cable from the accessories box, connect small 3pin of the Aura cable with this port, and connect another connector of 5V 3pin (Aura connector) to the M/B Aura port

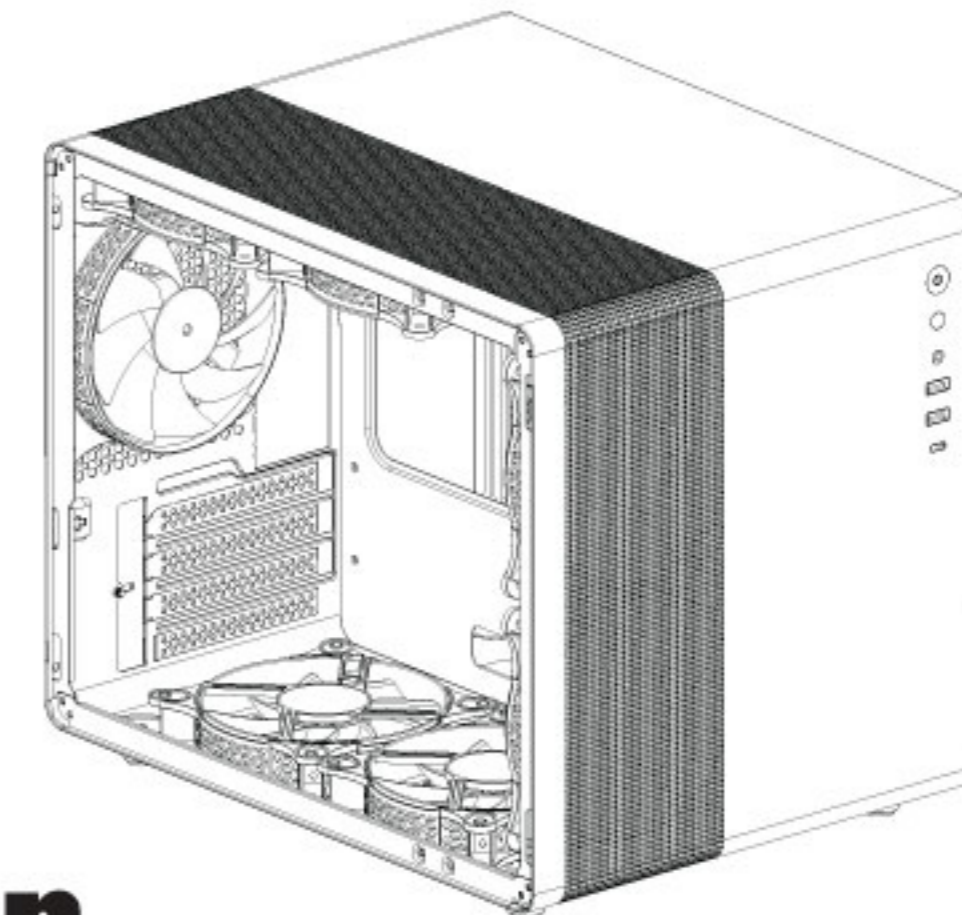
8 Illuminating board installation (Note: illuminating board is optional item. If the case comes with illuminating board, install it according to the following illustration. If the case comes without illuminating board, then ignore it)

- ① Install metal fixing piece of illuminating board at "a" positions as shown in illustration 1. One piece on the up, one piece on the down, fixed by screws
- ② Install illuminating board on the metal fixing pieces as shown in illustration 2, the fix it by screws at "b" positions



9 Cooling device compatibility

- Front: 2x12cm fan
- Top: 2x12cm fan
- Rear: 1x12cm fan or 1x120mm water cooling kit
- Bottom: 2x12cm fan
- M/B back: 1x240mm water cooling kit



Value-Top

V300/V300W